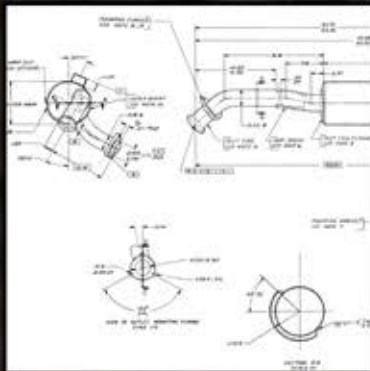


OPTIMAL PERFORMANCE MEETS MILITARY SPECS.

COST-EFFECTIVE EXHAUST SOLUTIONS ENGINEERED TO FIT YOUR NEEDS.



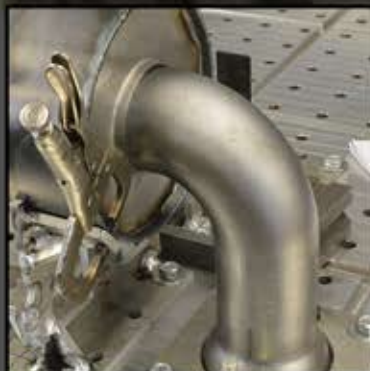
Built around a highly capable engineering team, Modular Exhaust™ provides exhaust systems that compete on cost only (Base), cost and performance (Enhanced), or fully optimized (Optimized) performance to fit the wide range of needs for military vehicles. A streamlined design and manufacturing process allows for a new approach to supplying defense exhaust systems, providing customers the desired performance and qualification options for any application.



QUOTE



GENERATE



MANUFACTURE



VERIFY

REQUIREMENT	DESCRIPTION	BASE	ENHANCED	OPTIMIZED
Quality	Engineering, DFMEA, PFMEA, PPAP	✓	✓	✓
	Material/weld certifications	✓	✓	✓
Performance	Performance Qualification Test (Noise, Backpressure)	✓	✓	✓
	Enhanced Acoustic and Flow Performance: 1-D Analysis		✓	✓
	Optimized Acoustic and Flow Performance: 3-D Analysis			✓
Durability	Enhanced Performance testing: Engine dynamometer, on vehicle			✓
	Proven existing design, existing manufacturing processes	✓	✓	✓
	Proven modular design, modular manufacturing processes		✓	✓
	Custom 3-D structural Finite Element Analysis (FEA): Static, modal, vibration, shock, thermal, thermal stress, burst pressure			✓
	Durability testing: Shock, vibration, thermal chamber, engine dynamometer, on-vehicle			✓



MODULAR EXHAUST